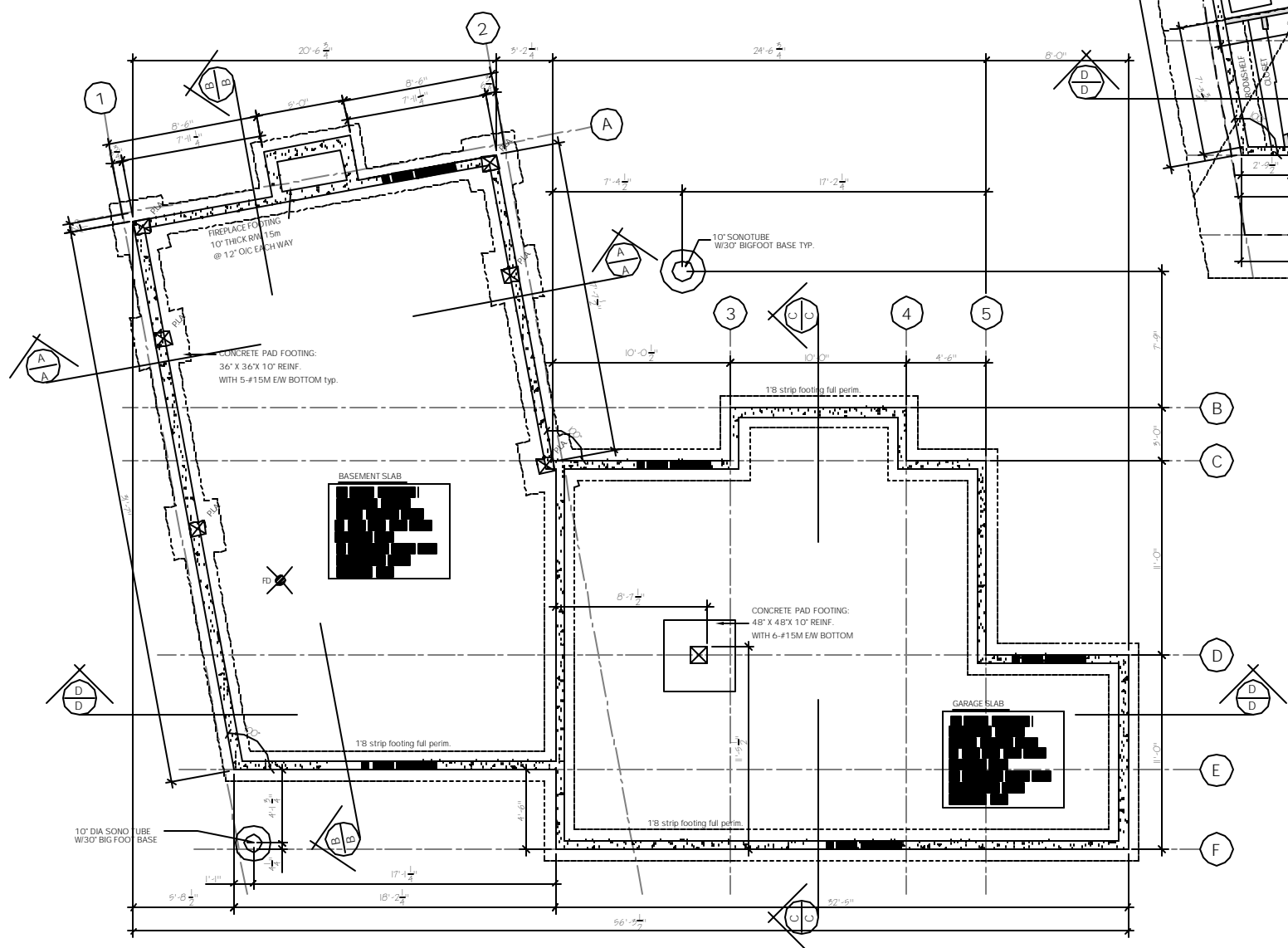
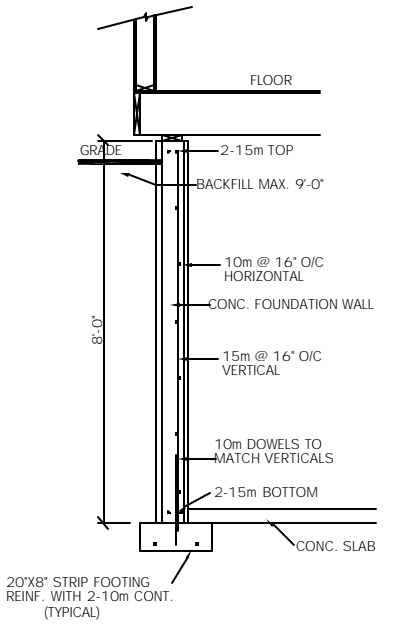
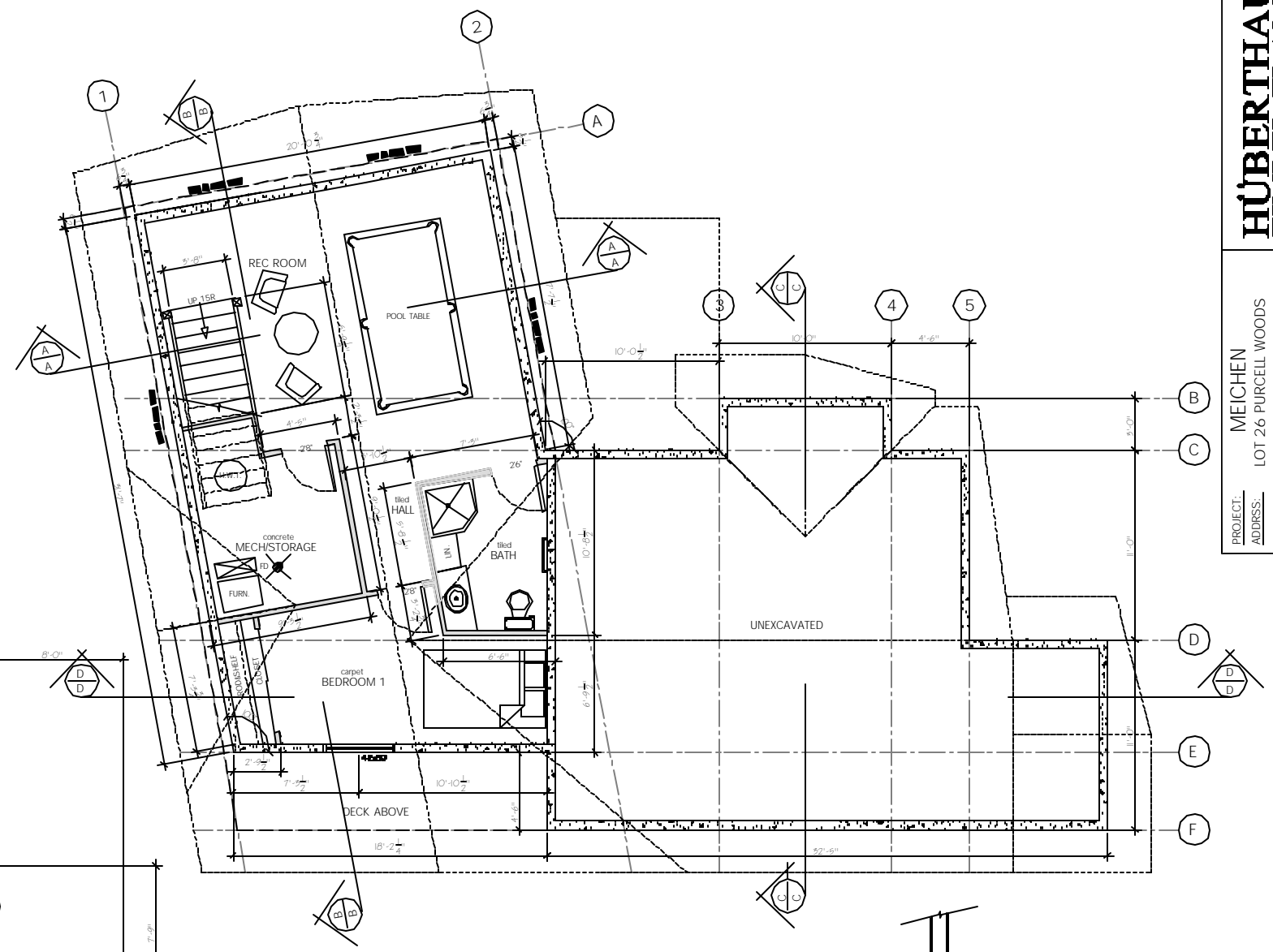


NO.	REVISIONS	DATE

1 FOUNDATION PLAN
A2 SCALE 1/4" = 1'-0"



2 LOWER FLOOR PLAN - 532 SQ. FT.
A2 SCALE 1/4" = 1'-0"



3 PANEL SUPPORT DETAIL
A2 SCALE: 3/8" = 1'-0"